

# SMART-i

---

## External Wireless Solar Siren

Installation and Operating Instructions

---

Version 1



Please read these instructions carefully before using this product and keep the manual for future reference.

---

# Contents

---

<b>Safety Notices</b> .....	3
Components.....	5
Introduction.....	5
<b>Getting Started</b> .....	6
Download the Android/iOS version of the Smart-i Protect App.....	6
Make sure the SmartBox is connected to the Internet.....	7
1. Pair the Solar Siren.....	8
2. Verify the Setup.....	9
<b>How to install the Wireless Solar Siren</b> .....	9
1. Bracket Removal/Tamper Protection.....	10
2. Siting the Wireless Solar Siren.....	10
3. Mounting the Wireless Solar Siren.....	11
<b>Function Settings</b> .....	12
1. Setting the alarm sound.....	12
2. Setting the active alarm time.....	13
<b>Product Specifications</b> .....	14

# IMPORTANT SAFETY NOTICE

---

This information can help you safely use your security system. Follow and retain all information included with your system.

Customer safety is important. Our products are developed to be safe and effective. However, the Wireless Solar Siren is an electronic device. To reduce these risks, follow the instructions included with your product, observe all warnings on the product and in the operating instructions, and review the information included in this document carefully. By carefully following the information contained in this document and provided with your product, you can help protect yourself from hazards and create a safer operating environment.

## **Conditions that require immediate action**

Products can become damaged due to misuse or neglect. Some product damage is serious enough that the product should not be used again until it has been inspected and, if necessary, repaired by an authorised servicer.

As with any electronic device, pay close attention to the product when it is turned on. On very rare occasions, you might notice an odour or see a puff of smoke or sparks from your product, or you might hear sounds like popping, crackling or hissing. These conditions might merely mean that an internal electronic component has failed in a safe and controlled manner, or they

might indicate a potential safety issue. However, do not take risks or attempt to diagnose the situation yourself. Contact our Customer Support Team for further guidance.

Frequently inspect your security system and its components for damage/wear or signs of danger. If you have any questions about the condition of a component, do not use the product. Contact our Customer Support Team for instructions on how to inspect the product and have it repaired, if necessary.

In the unlikely event that you notice any of the following conditions, or if you have any safety concerns with your product, stop using the product and unplug it from the power source and until you can speak to the Customer Support Team on 0871 222 1430 for further guidance.

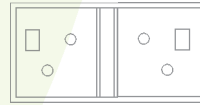
### **POSSIBLE HAZARDS**

- Signs of overheating, smoke, sparks or fire.
- Damage to a battery (such as cracks, dents, or creases), discharge from a battery or a buildup of foreign substances on the battery.
- A cracking, hissing or popping sound, or strong odour that comes from the product.
- Signs that liquid has been spilled or an object has fallen onto the product.
- The product has been dropped or damaged in any way.
- The product does not operate normally when you follow the operating instructions.

# Components

---

**Wireless  
Solar Siren**  
SHS300



Wall Bracket



Wall Mount Set

## Introduction

---

The Smart-i Wireless Solar Siren is designed for use with the SmartHome Security System. This multi-use Wireless Solar Siren uses solar energy to power the built-in battery. Wireless solar power and wireless signal transmission, enhance the flexibility of installation. You can add multiple wireless sirens at different locations to get alarms simultaneously when the system is triggered.

You can easily access the system from anywhere in the world via the Internet. The Smart-i Protect iOS/Android app allows you to activate/deactivate the siren manually or automatically. You can also create various scenarios to allow the system to automatically respond to the situation even when you are not at home/office.

# Getting Started

---

The Wireless Solar Siren requires sufficient battery power to enable a successful pairing process and normal operation afterwards. If you cannot pair the Siren to the SmartBox or operate the control command, please first check the battery connection.

## Download the Android version of the Smart-i Protect App

Please go to the Google Play to search for 'Smart-i Protect' and install the app to your mobile device.



Smart-i Protect

## Download the iOS version of the Smart-i Protect App

Please go to the Apple App Store to search for 'Smart-i Protect' and install the app to your mobile device.

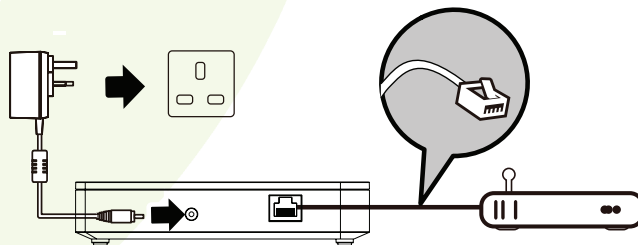


Smart-i Protect

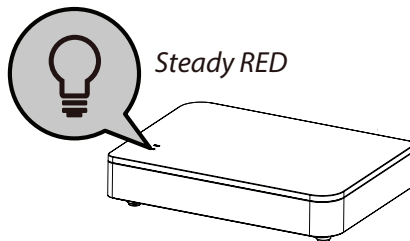


## Make sure the SmartBox is connected to the Internet before proceeding with installation

(1) First connect the SmartBox to your Wi-Fi router via the Ethernet cable supplied, then power on the SmartBox by using the power adaptor supplied .



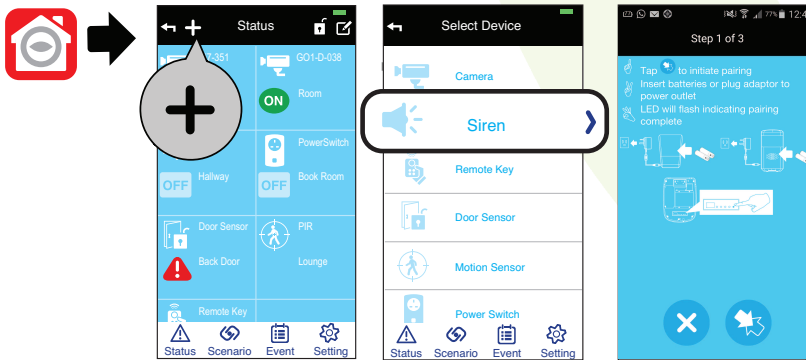
(2) The RED LED indicator will light up and beep twice to indicate successful power up. Seconds later the SmartBox will again beep twice to indicate it is ready for setup via the 'Smart-i Protect' App.



# 1. Pair the Solar Siren

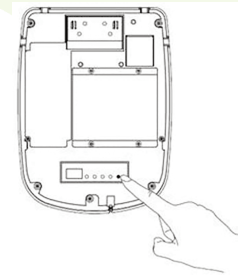
(1) Using 'Smart-i Protect', tap **+** in the 'Status' section.

(2) Choose 'Siren' and  to initiate the pairing process.



## Manual Pairing Method

Please make sure the unit is powered on using the switch on the rear of the unit. Press the 'Pairing' button located on the back of the Solar Siren (bottom right).





(4) Enter 'Device Name' and 'Location', tap 'Save' to complete the pairing process. The newly paired siren will now display in the App's 'Status' section.

## 2. Verifying the Setup

From the 'Status' section, tap the Siren icon and turn the Siren's alert sound On and Off.

# How to install the Wireless Solar Siren

---

### **SAFETY AND INSTALLATION TIPS**

Do not attempt to open the units with the power adaptor plug connected to avoid any risk of personal injury. When installing this device, always follow manufacturer's advice when using power tools, steps, ladders, etc. and wear suitable protective equipment (e.g. safety goggles) when drilling holes. Before drilling holes through walls, check for hidden electricity cables and water pipes. The use of cable/pipe detector is advisable.

The Wireless Solar Siren is designed for outdoor use only, please do not install it indoors. To prevent a fire or electrical shock hazard, do not attempt to open the housing while the unit is exposed to water or wet conditions. There are no user serviceable parts inside. Refer servicing to qualified service personnel.

# 1. Bracket Removal/Tamper Protection

The tamper protection feature of the Wireless Solar Siren is activated when the bracket is removed from the rear of the unit. During setup and installation this will not trigger an alarm. However, once the unit is fully charged and setup is complete, removing the unit from the bracket will trigger an alarm.

# 2. Siting the Wireless Solar Siren

(1) The Siren is designed to work on any aspect wall, but for optimum performance try to avoid fixing it to a North facing wall, or to a wall with shadows cast by walls, trees and roof overhangs.

(2) For optimum wireless signal it should be sited as far as possible from large metal objects or household appliances with high frequency interference.

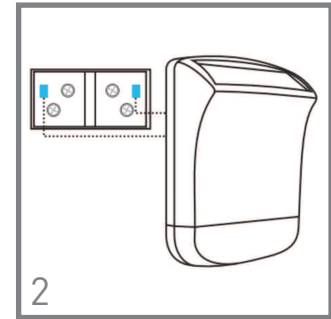
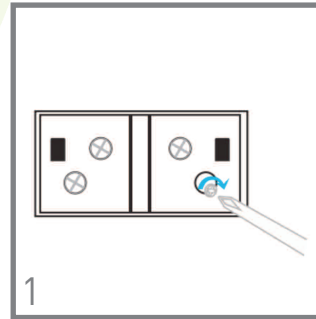
**NOTE:** In strong sun light, the charging time is about 6 hours. In weak sun light or on a cloudy day it will require approximately 12 hours.

### 3. Mounting the Wireless Solar Siren

Choose a location on the outside of the building in a position that is clearly visible and at a height which prevents the unit from tampering.

(1) Attach the siren's wall bracket to a wall and fix using the screws/plugs provided.

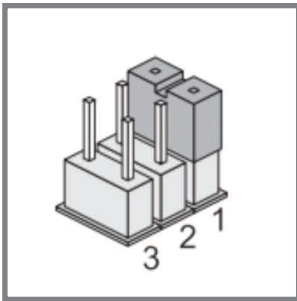
(2) Align the locating lugs on the top rear of the siren with the bracket and mount the siren on to the wall bracket.



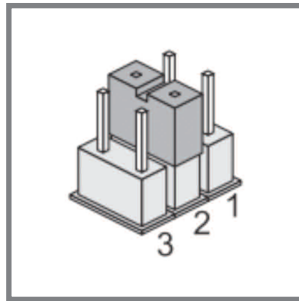
# Function Settings

## 1. Setting the alarm sound

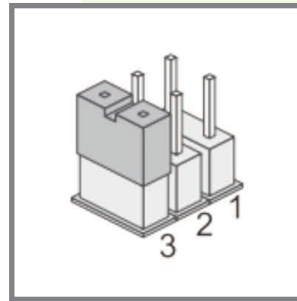
The Solar siren has four different selectable tones/sounds. Unscrew the panel on the rear of the unit (4 screws) to access the jumpers. Adjust the jumper settings as follows:



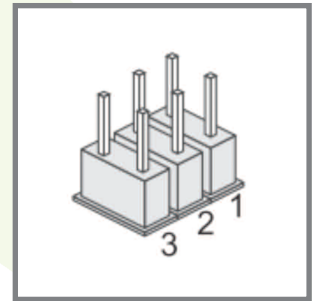
Sound 1



Sound 2



Sound 3

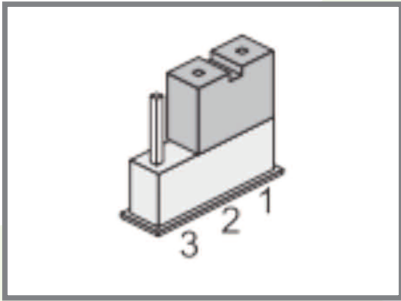


Sound 4

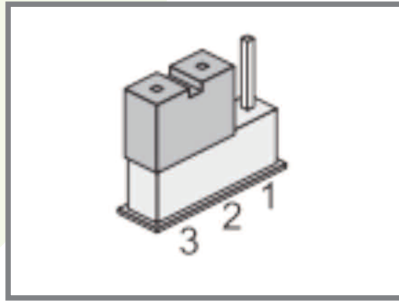
The factory default alarm sound is Sound 1

## 2. Setting the active alarm time

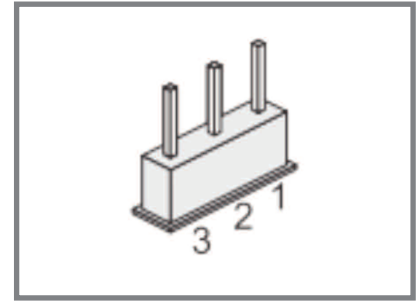
The Solar Siren has three different selectable times. The Siren noise will switch off after 1, 3 or 5 minutes. Unscrew the panel on the rear of the unit (4 screws) to access the jumpers. Adjust the jumper settings as follows:



1 minute



3 minutes



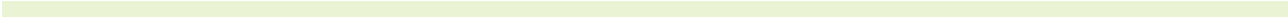
5 minutes

The factory default active alarm time is 3 minutes.

# Product Specifications

---

Model Number	SHS300
Signal Frequency	868 MHz
RF Range	150M (open field conditions)
Power Source	3.7V/1200mA (1x Lithium Ion battery, built in)
Standby Battery Life	Up to 25 days
Piezo Siren	Maximum 110dB
Low Battery Warning	Yes
Tamper Detection	Yes
Operating Temp.	-30°~70°C
Operating Humidity	10%~80%RH
Operating Environment	Outdoor
IP Rating	IP65
Dimensions (WxHxD)	195 x 262 x 61mm





---

## TECHNICAL SUPPORT

For technical support, please contact your local distributor. Alternatively, call 0871 222 1430

Manufactured exclusively for:  
Smart-i UK, Unit 2 Valley Point, Beddington Farm Road, Croydon, Surrey CR0 4WP

---